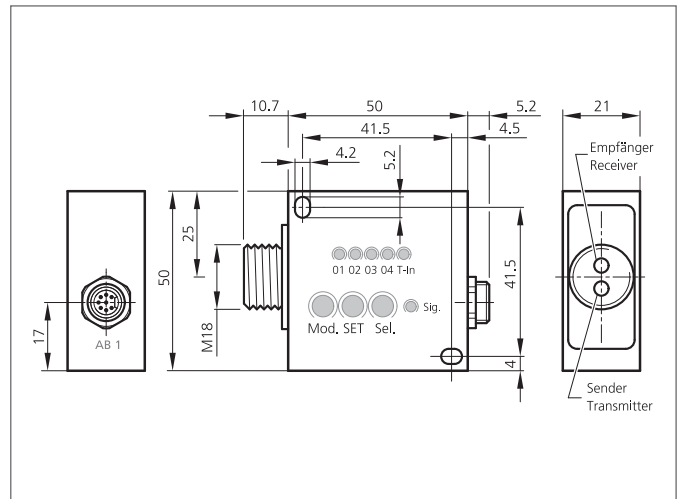
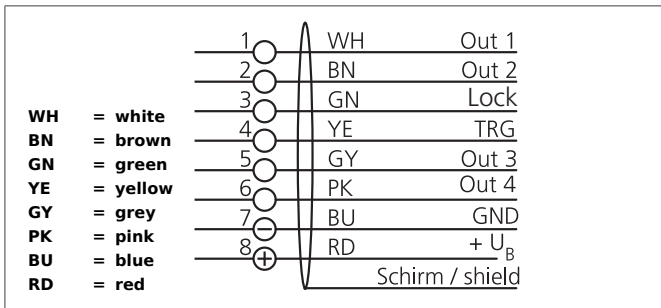


# FSB 50 M G3-B8

## Colour Sensor



- Extensive range of fibre optic cables
- 4 channel, teach-in for many standard applications
- Short response time
- Adjustable colour tolerance
- Distinction of smallest shades
- High ambient light compensation
- Integrated long-term stability
- Status indication via LEDs
- Key lock function



### Safety instructions

The Instruments are not to be used for safety applications, in particular applications in which safety of persons depends on proper operation of the instruments. These instruments shall exclusively be used by qualified personnel.

TECHNICAL INFORMATION (typ.)	+20°C, 24V DC
Service voltage	18 ... 28 V DC
Internal power consumption	500 mA
Control buttons	3
Emitting light source	white light LED
Operating distance	Dependent on fibre-optic cable
Fibre-optic cable connection / Fixed optics	M 18 x 1
Colour memory internal	4
Number of sensing channels	1
Measuring spot	Dependent on focus optic
Colour channels of sensor	4 (Teachable via buttons)
Colour resolution	DE Lab < 1
Trigger input	TRG (+24 V DC)
Keylock	Lock (+24 V DC)
Switching output	pnp+npn (4x), max. 100 mA
Switching hysteresis	10 %
Pulse stretching	0 ms or 10 ms, 0 ms or 50 ms (from Serial no. 851238)
Display	4 LEDs (Output state) 5 LEDs (programming)
Voltage drop	< 2,0 V
Response time/Scanning frequency	10 ms / 100 Hz or 1 ms / 1.000 Hz, parametrizable
Ambient temperature	-10 ... +55 °C
Tolerance ranges	5 by buttons arbitrarily
Ambient light compensation	dynamic

## FSB 50 M G3-B8 Colour Sensor



<b>TECHNICAL INFORMATION (typ.)</b>	<b>+20°C, 24V DC</b>
Protection class	IP 54
Colour space modes	L*a*b* (Non-self-shining objects)
Detection modes	Minimum spacing (Assignment of measured colour to the stored colour with the smallest colour spacing) Check sphere (Check whether the measured colour is within a defined tolerance)
Operating mode	- (Continuous) - (External triggering)
Casing material	Aluminium anodized